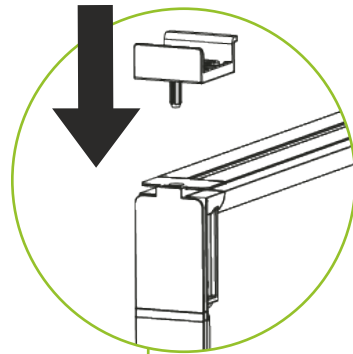
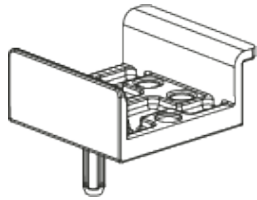


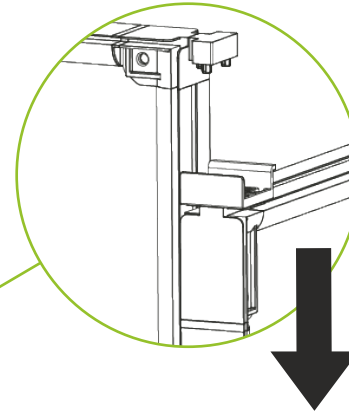
Flex Frame Wall | Top Banner assembly

1 Insert connectors

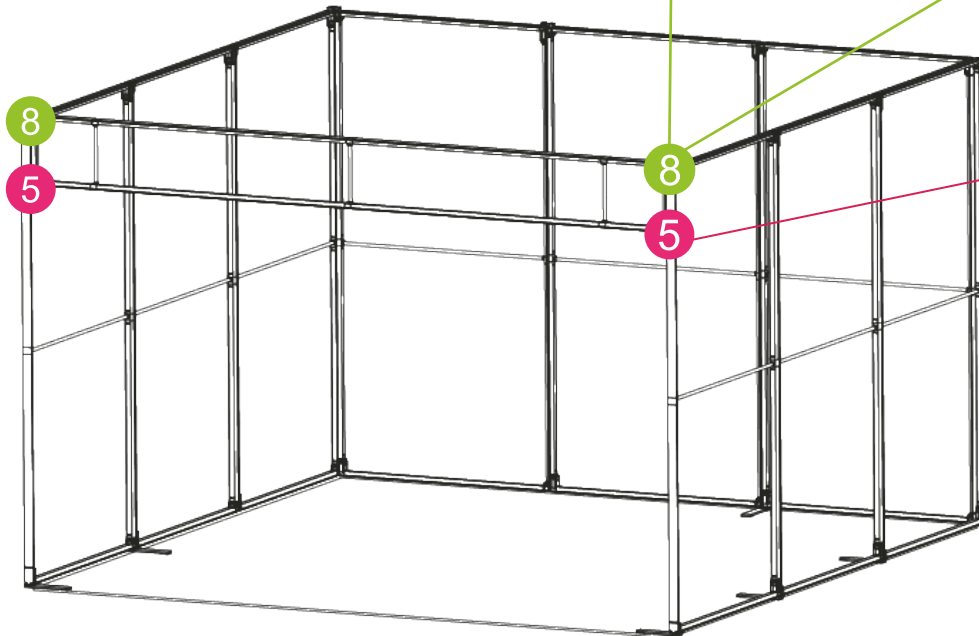
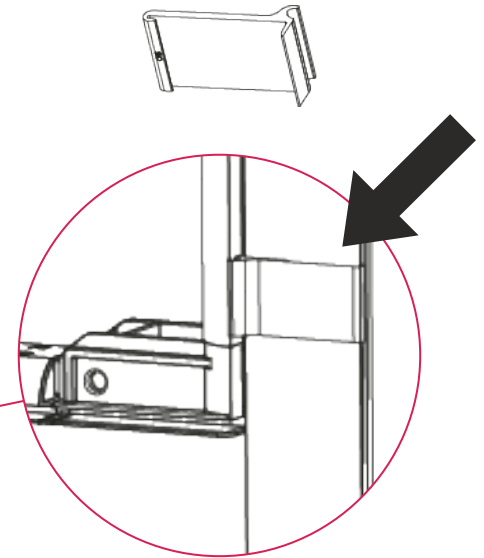
8 Top banner connector



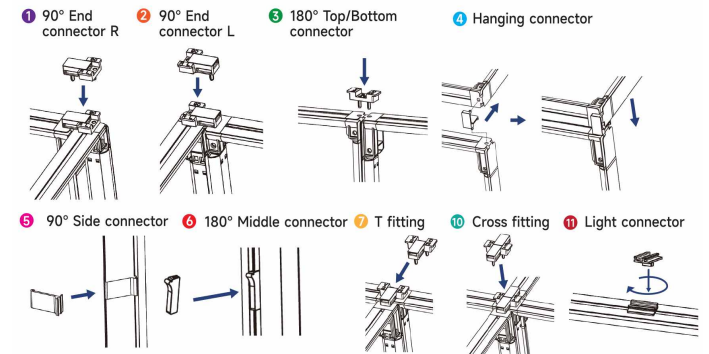
2 Slide top banner



3 Fix side connectors



Connectors Overview



Disassemble in the reverse order.
Caution: Make sure the graphic is folded neatly and save it in bag after using, to avoid wrinkle.